

BI-FOLDING GATE SYSTEM



Albatros

A bi-folding gate system for confined spaces.

- Bi-folding wide opening swing gate system
- For double gates up to 52ft wide opening
- Geared hinges for smooth opening
- Fold system occupies minimal space for opening and closing
- Trackless obstacle free entranceway
- Space saving design
- Precise and adjustable stop position

Manufactured by
 **COMUNELLO**
LIFE MADE EASY

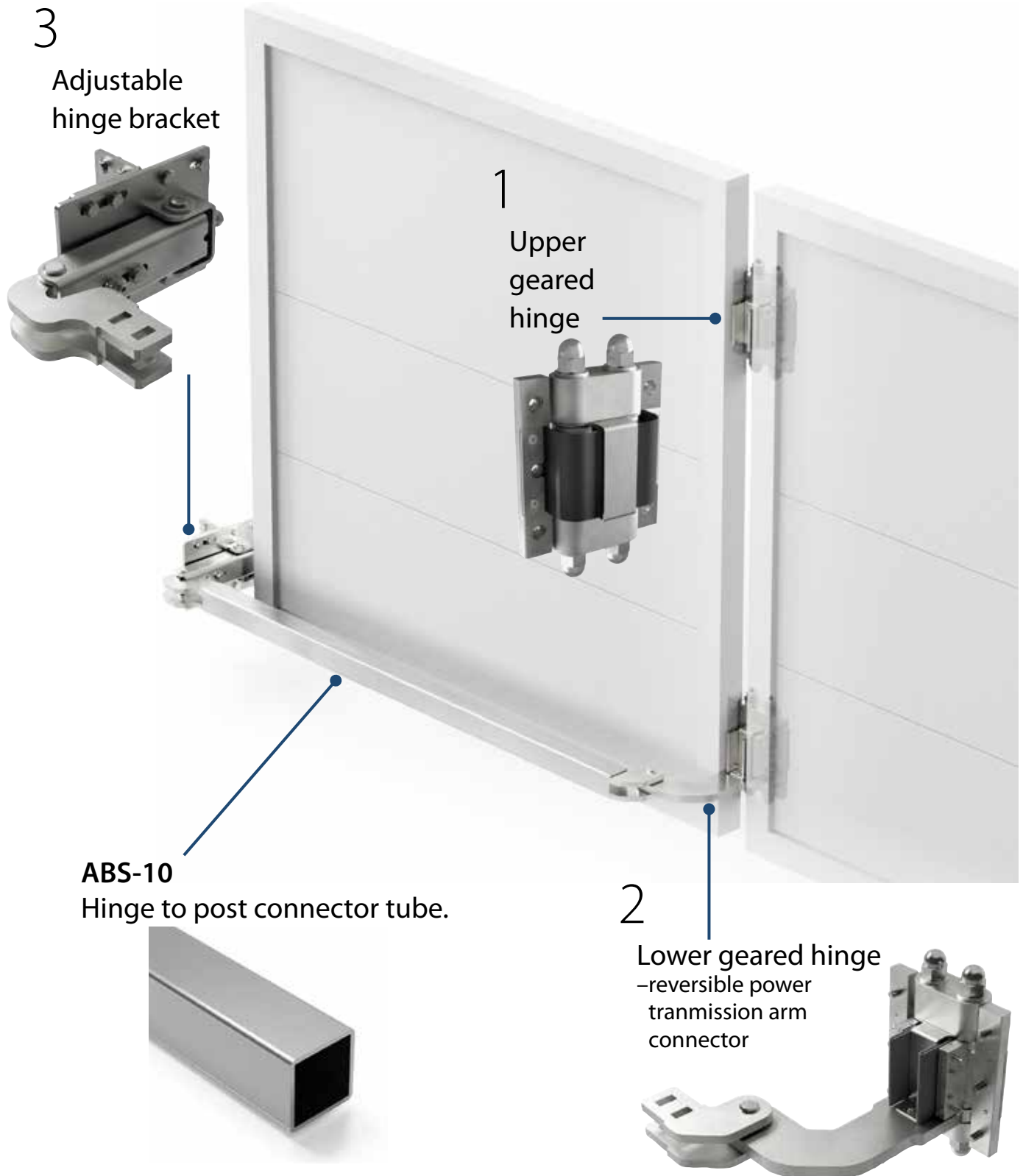


Watch a video for more information.

With its patented revolutionary geared hinge, the Albatros system offers a stable smooth opening for large bi-folding gates. This high quality system remains totally suspended and therefore trackless, allowing a clean obstacle free entrance and using half the space of a single leaf swing gate. The Albatros power transmission arm is mounted on the hinge post and is connected to the geared hinge between the panels achieving a smooth and reliable opening system.

ALBATROS BI-FOLDING GATE SYSTEM

This illustration shows the ABS-100 kit components and the hinge to post connector tube.



ALBATROS BI-FOLDING GATE SYSTEM CONFIGURATOR

Gate application parameters

- A Opening width
- T Gate frame size
- B Hinge Gap
Gate frame size dependent

Gate formulas

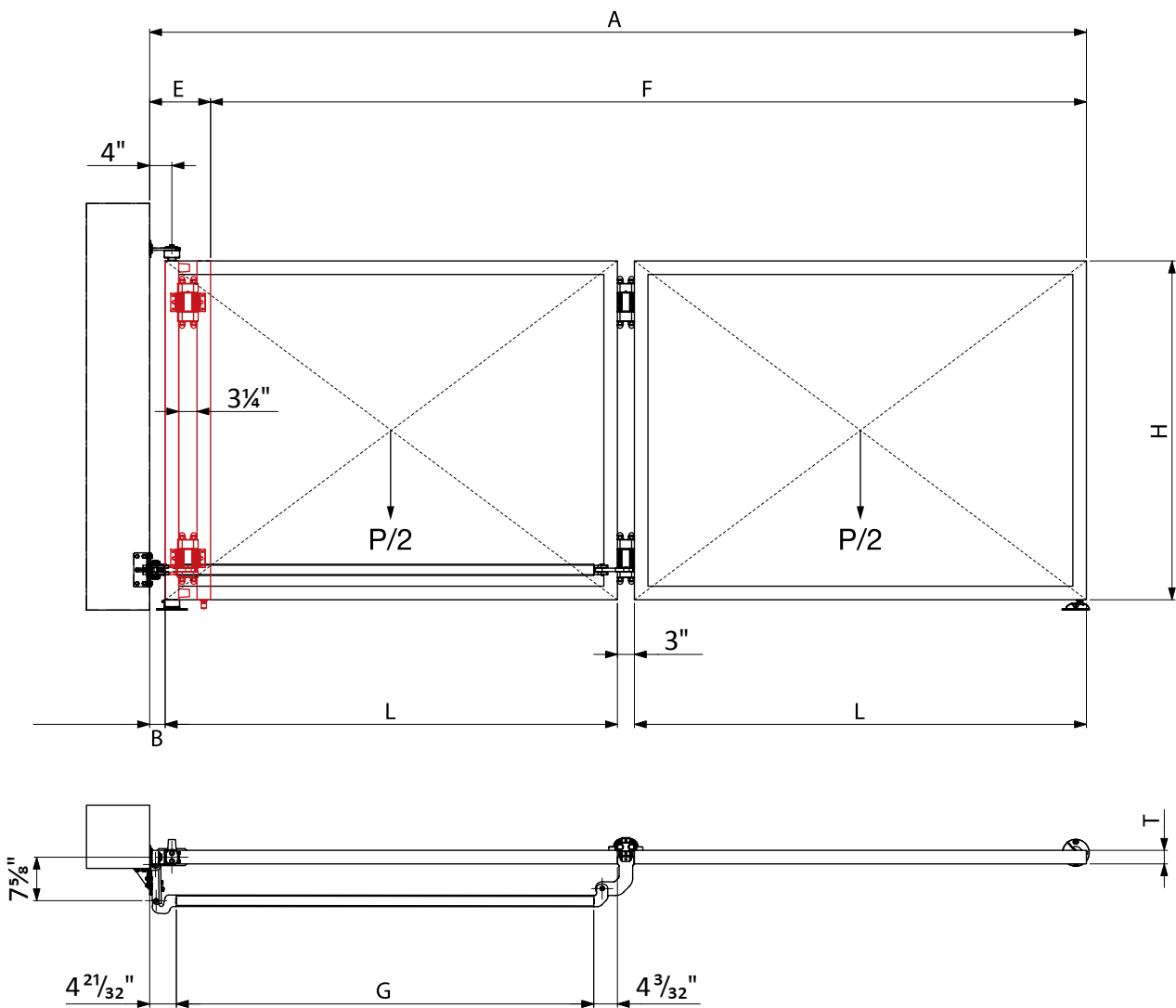
L: Gate leaf width $L(\text{in}) = (A - 3 - B) \div 2$

G: Hinge to post connector tube length $G(\text{in}) = L - 8.75 + B$

E: Gate width in open position $E(\text{in}) = (2 \times T) + B + 3.2$

F: Net opening size $F(\text{ft}) = A - E$

NOTE: The parameters in **BOLD** in the formulas above are inches.



Example

12' Gate Opening (A) with 3" Hinge Gap (B) and 2" Gate Frame Size (T)

L: $(144" - 3" - 3") \div 2 = 69"$ or 5'9"

G: $69" - 8.75" + 3" = 63.25"$ or 5'3 1/4"

E: $(2 \times 2") + 3" + 3.2" = 10.2"$

F: $144" - 10.2" = 133.8" = 11'1"$

ALBATROS BI-FOLDING GATE SYSTEM HINGES

MAXIMUM GATE WEIGHT CALCULATION

Hinge weight capacity depends on the width of the gate and the height of the gate. Albatros requires an opening width to height of 3 to 1 or less. Use tables below to determine the max weight "P" for the gate. Note each leaf max weight is P/2.

Example:
 12' wide opening x 4' high
 $12' \div 4' = 3$
 Gate max weight (P) = 440 lbs.
 Leaf max weight (P/2) = 220 lbs.

Example:
 12' wide opening x 6' high
 $12' \div 6' = 2$
 Gate max weight (P) = 710 lbs.
 Leaf max weight (P/2) = 355 lbs.

GROUND MOUNT – SCREW ON HINGE SET

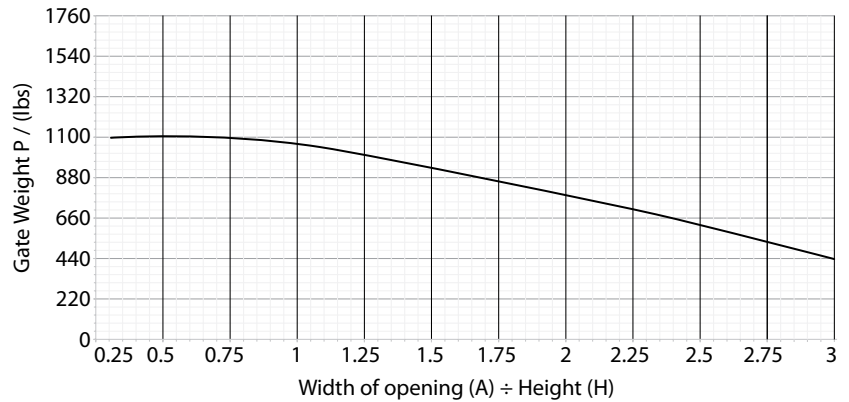
3/16" thick mounting bracket
 2-11/16" Hinge diameter
 9/16" Gap adjustment
 Maximum Capacity 1100 lbs
 Sealed Bearings



85PST-G
 Adjustable upper hinge with plate to be screwed on



87PST-G
 Bottom hinge with thrust bearing and plate to be screwed on



POST MOUNT – SCREW ON HINGE SET

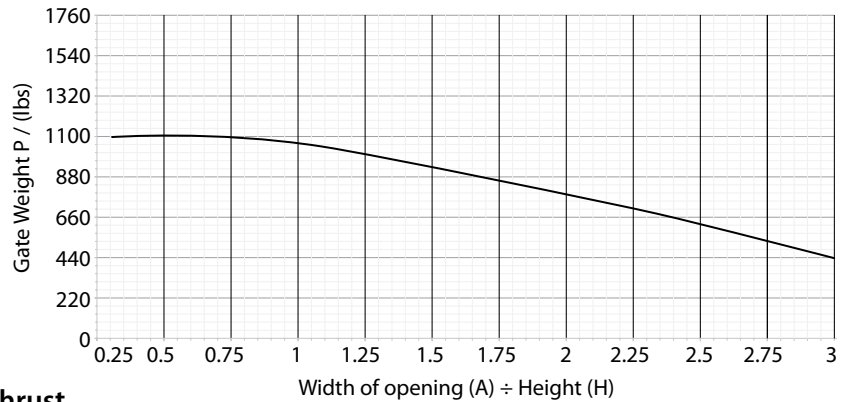
3/8" thick mounting bracket
 2-11/16" Hinge diameter
 9/16" Gap adjustment
 Maximum Capacity 1100 lbs
 Sealed Bearings



85L-G
 Adjustable upper hinge with L-Bracket



87L-G
 Bottom hinge with thrust bearing and L-Bracket



GROUND MOUNT – WELD ON HINGE SET

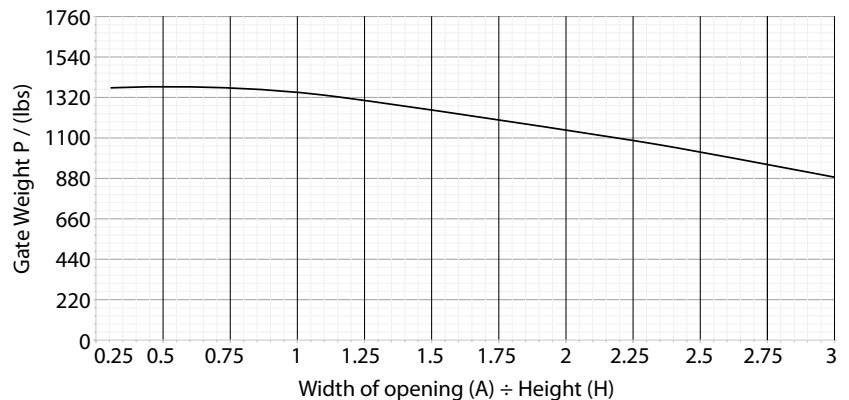
3/8" thick mounting bracket
 2-11/16" Hinge diameter
 9/16" Gap adjustment
 Maximum Capacity 1400 lbs
 Sealed Bearings



85G
 Adjustable upper hinge with plate to be welded



87G
 Bottom hinge with thrust bearing to be welded



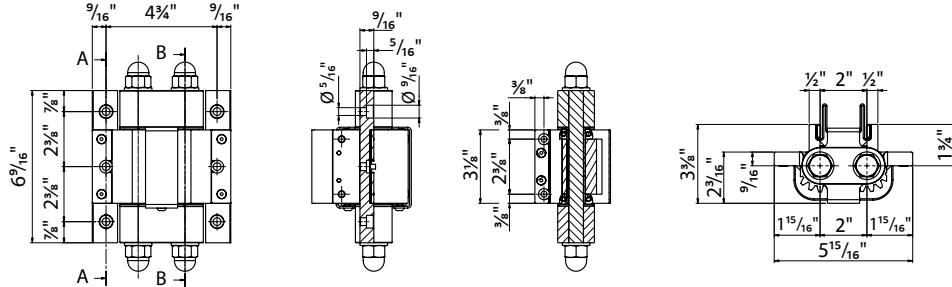
ALBATROS BI-FOLDING GATE SYSTEM

ABS-100

Kit components

1

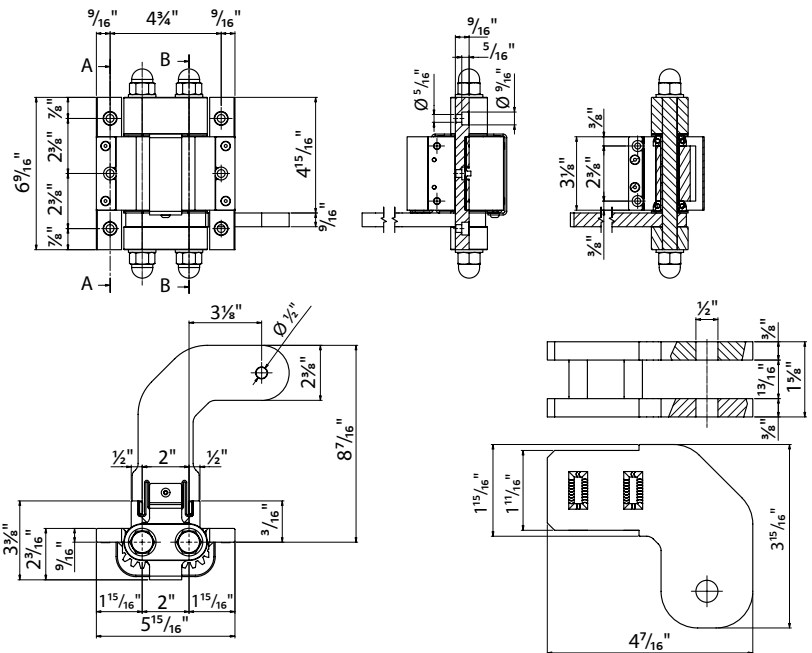
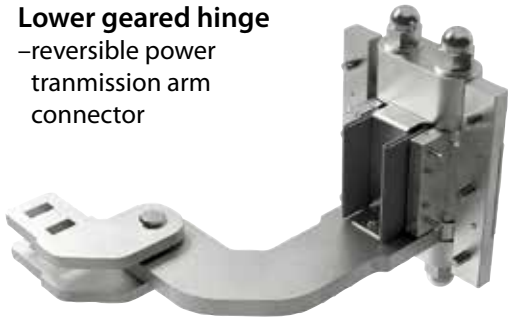
Upper geared hinge



2

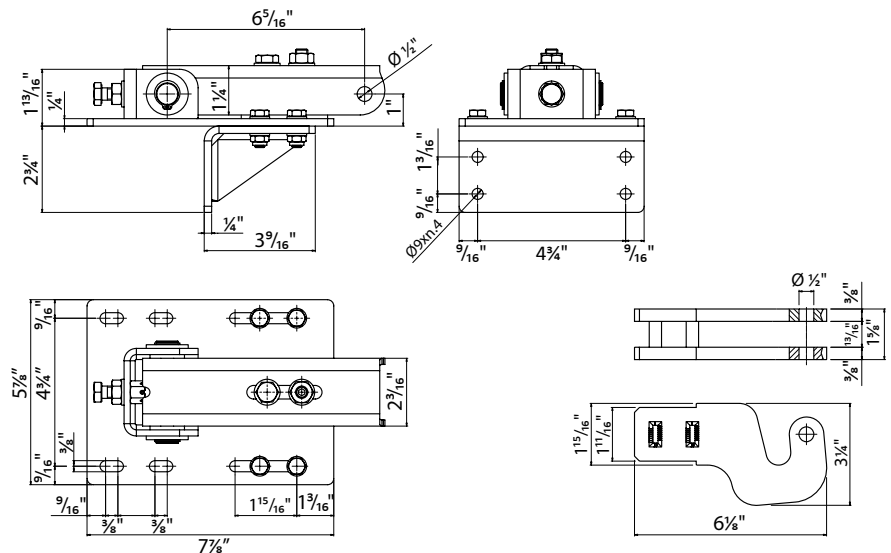
Lower geared hinge

–reversible power transmission arm connector



3

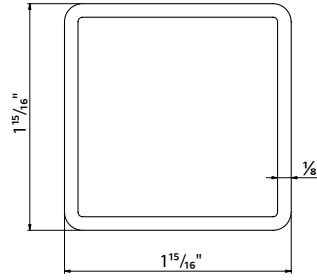
Adjustable hinge bracket



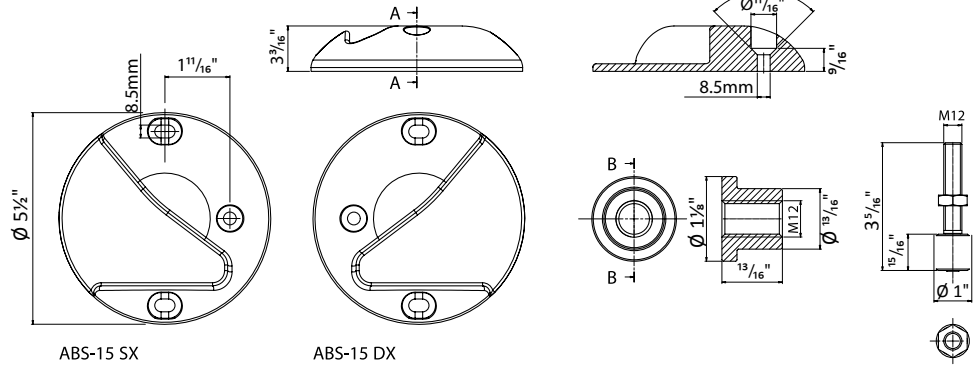
ALBATROS BI-FOLDING GATE SYSTEM ACCESSORIES



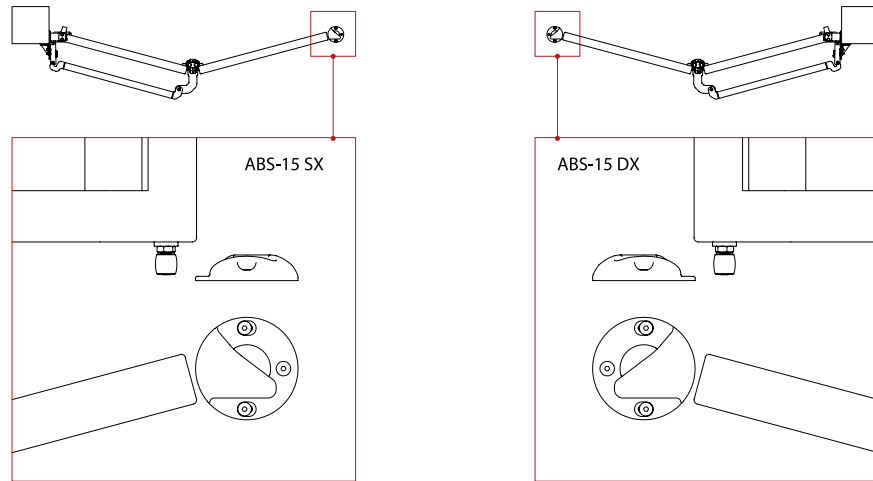
ABS-10
Hinge to post connector tube
9'10" lengths



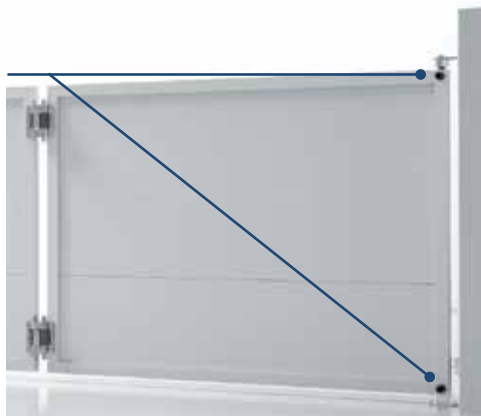
ABS-15-SX
LEFT ground strike plate



ABS-15-DX
RIGHT ground strike plate



239
Gate leaf stopper



202
Gate stop
Mounted with screws

